

**MİMARİ KATALOG**  
**ARCHITECTURAL CATALOGUE**

**Alüminyum Kapı Pencere ve Giydirme Cephe Sistemleri**  
Aluminium Window Doors and Facade Systems

**RESCARA**



**RF G46**



# MİMARİ KATALOG ARCHITECTURAL CATALOGUE

Alüminyum Kapı Pencere ve Giydirme Cephe Sistemleri  
Aluminium Window Doors and Facade Systems



Rescara Sistem Detayları  
Rescara System Details

# RFG46

PROFİLLER

PROFILES

01

02

03

04

05

06

07

08

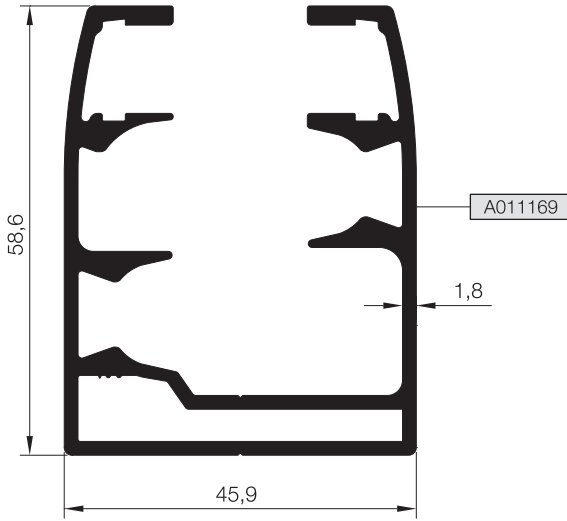
09

10

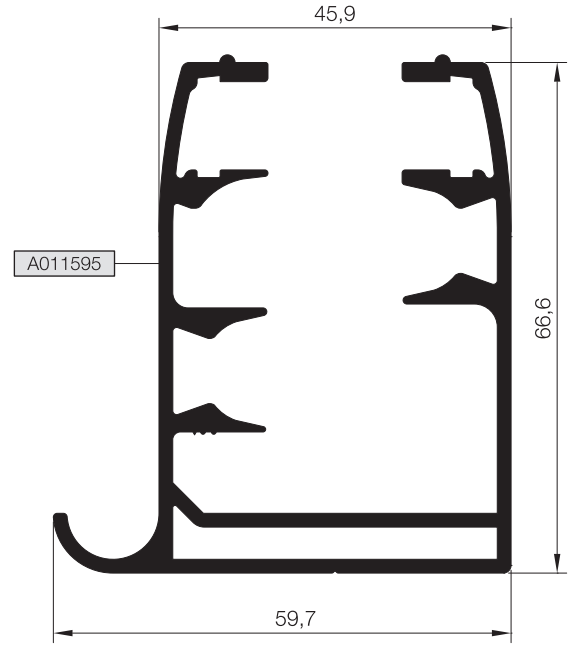


KOD / CODE	AĞIRLIK (kg/m) / WEIGHT	Jxx cm4	Jyy cm4	L m	
RFG46 F 01	1,494	16,903	20,088	6	
RFG46 F 02	0,524	3,174	2,044	6	
RFG46 F 03	1,734	21,950	31,799	6	
RFG46 F 04	2,156	84,492	39,306	6	

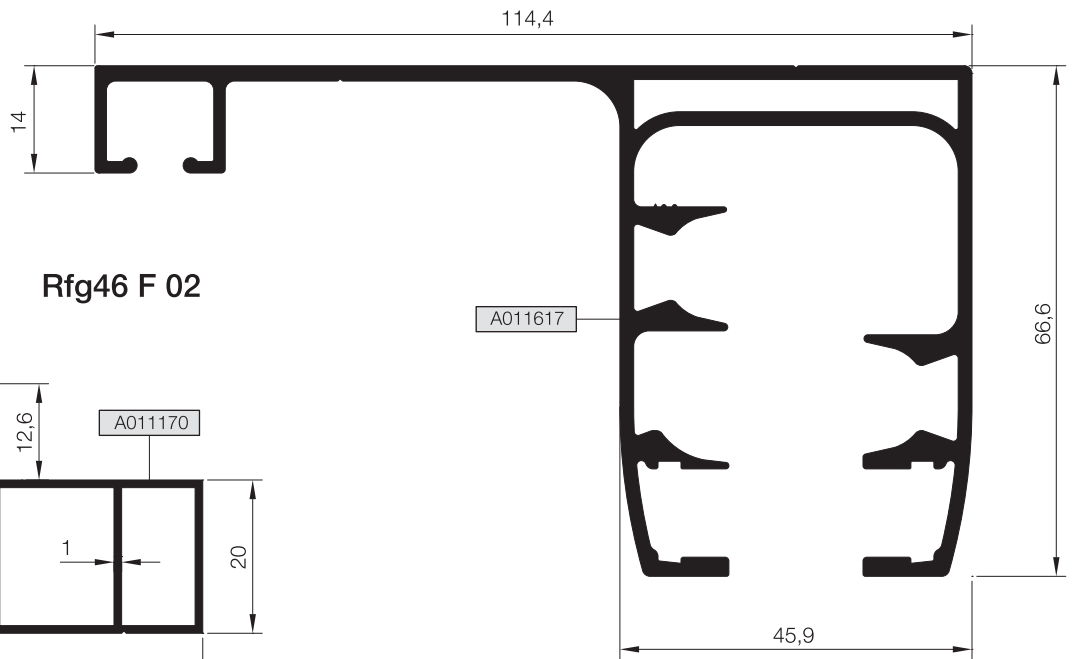
Rfg46 F 01



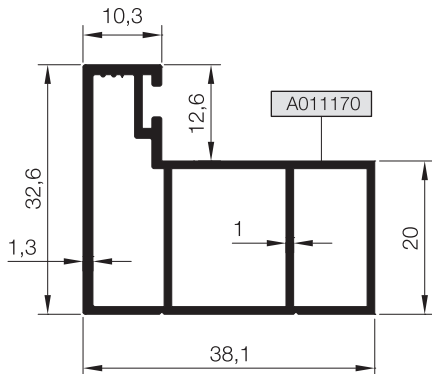
Rfg46 F 03



Rfg46 F 04



Rfg46 F 02



01

02

03

04

05

06

07

08

09

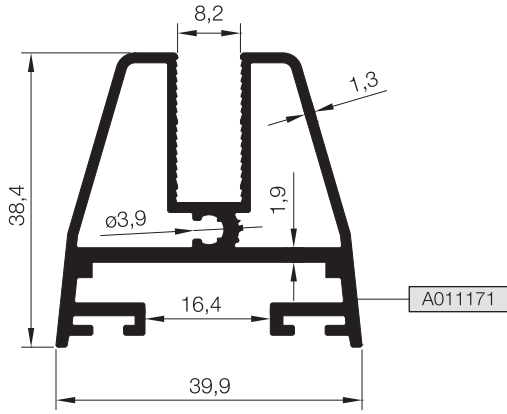
10

KANAT VE ADAPTÖR PROFİLLERİ  
VENT AND ADAPTER PROFILES

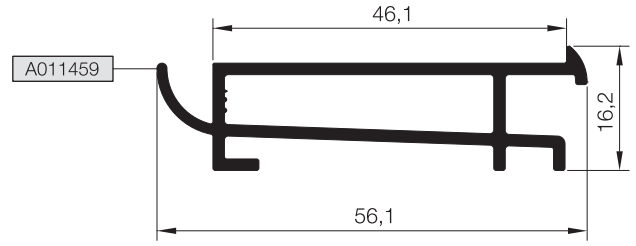
# RFG46

KOD / CODE	AĞIRLIK (kg/m) / WEIGHT	Jxx cm <sup>4</sup>	Jyy cm <sup>4</sup>	L m	
RFG46 V 01	0,873	4,914	3,767	6	
RFG46 A 01	0,572	----	----	6	
RFG46 A 02	0,561	----	----	6	

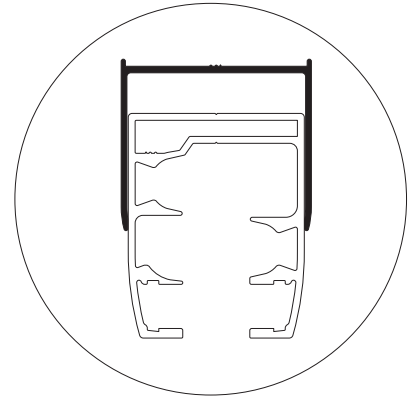
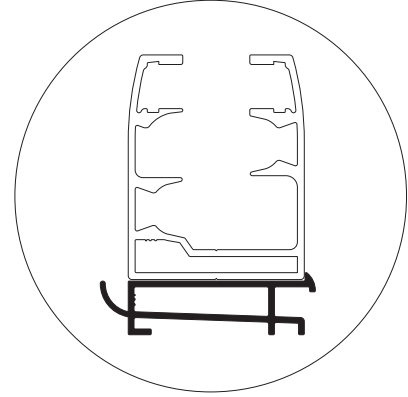
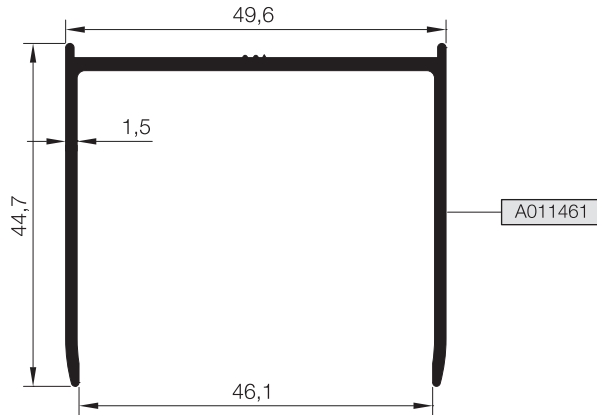
Rfg46 V 01



Rfg46 A 02



Rfg46 A 01



STOKTA BULUNAN SİSTEM PROFİLLERİNİN LİSTESİ (LIST OF SYSTEM PROFILES IN STOCK)

Nr	MIN. SİPARİŞ MİKTARI MIN. ORDER QUANTITY
RFG46 F 01	A011169 75 kg
RFG46 F 02	A011170 75 kg
RFG46 F 03	A011595 75 kg
RFG46 V 01	A011171 75 kg
RFG46 A 01	A011461 75 kg
RFG46 A 02	A011459 75 kg

\* STOKTA BULUNMAYAN TÜM PROFİLLER İÇİN MİNİMUM SİPARİŞ MİKTARI 300\*KG'DİR.  
MINIMUM ORDER QUANTITY FOR ALL THE PROFILES THAT ARE NOT IN STOCK IS 300 KG.

# MİMARİ KATALOG ARCHITECTURAL CATALOGUE

Alüminyum Kapı Pencere ve Giydirme Cephe Sistemleri  
Aluminium Window Doors and Facade Systems



Rescara Sistem Detayları  
Rescara System Details

# RFG46

DETAYLAR

DETAILS

01

02

03

04

05

06

07

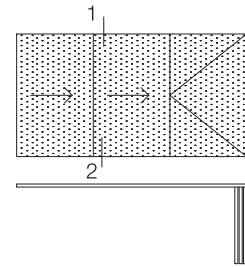
08

09

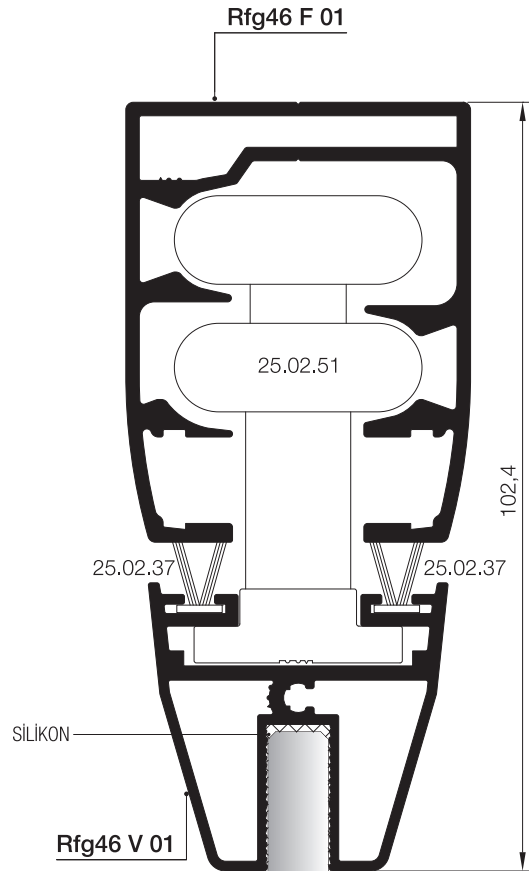
10



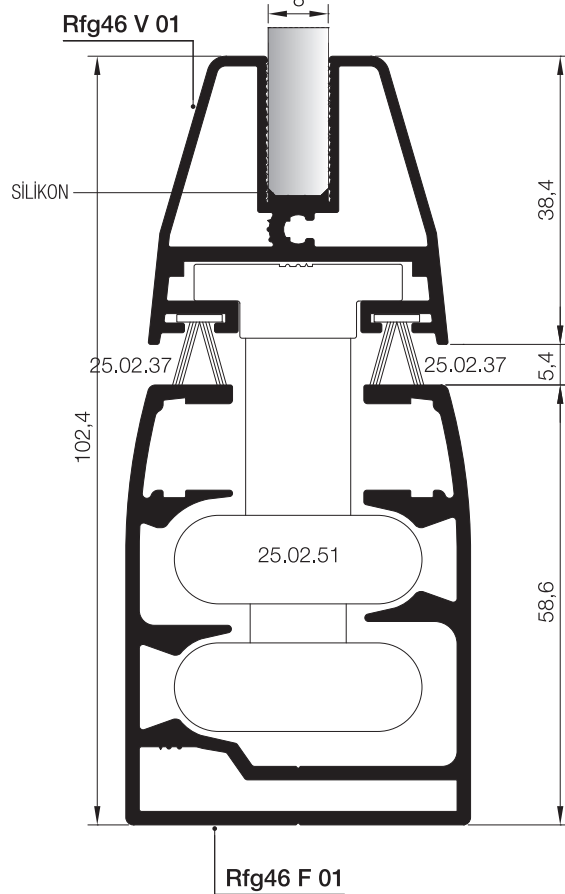




① DETAYI  
DETAIL



② DETAYI  
DETAIL



01

02

03

04

05

06

07

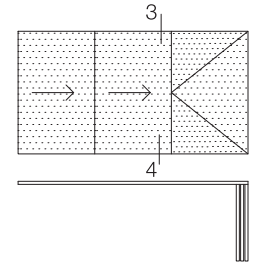
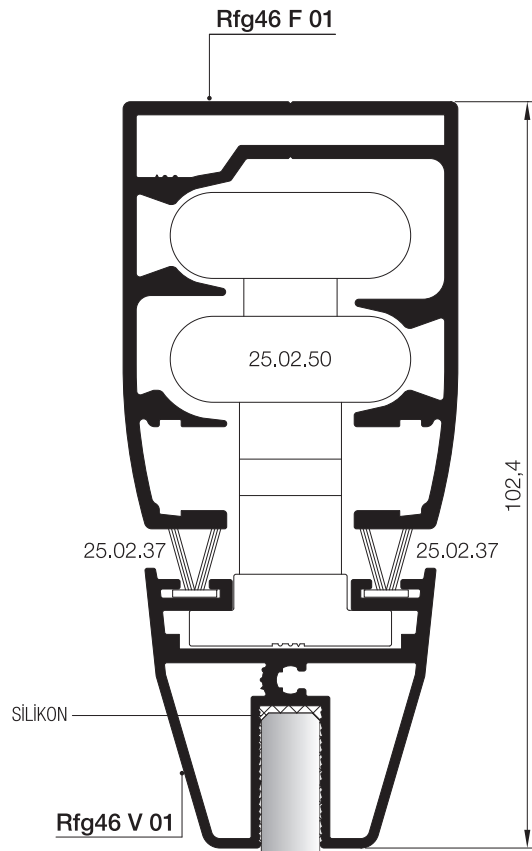
08

09

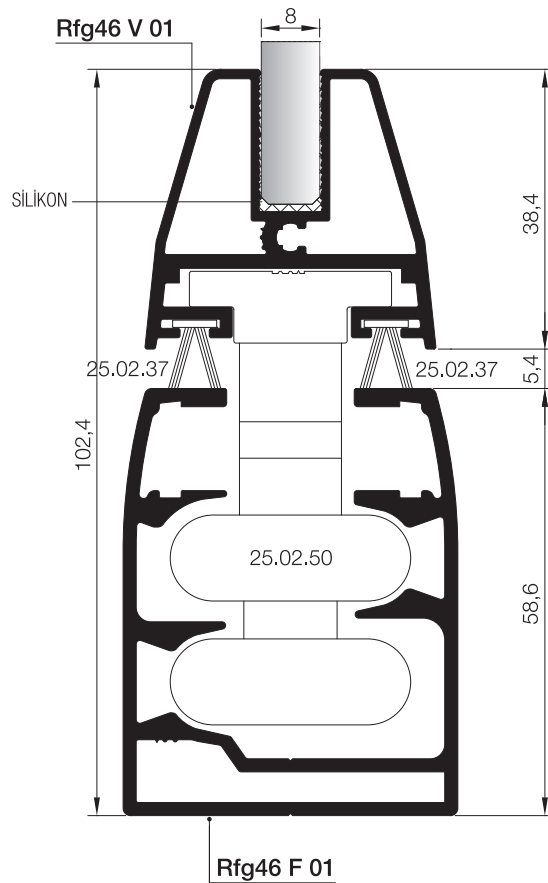
10

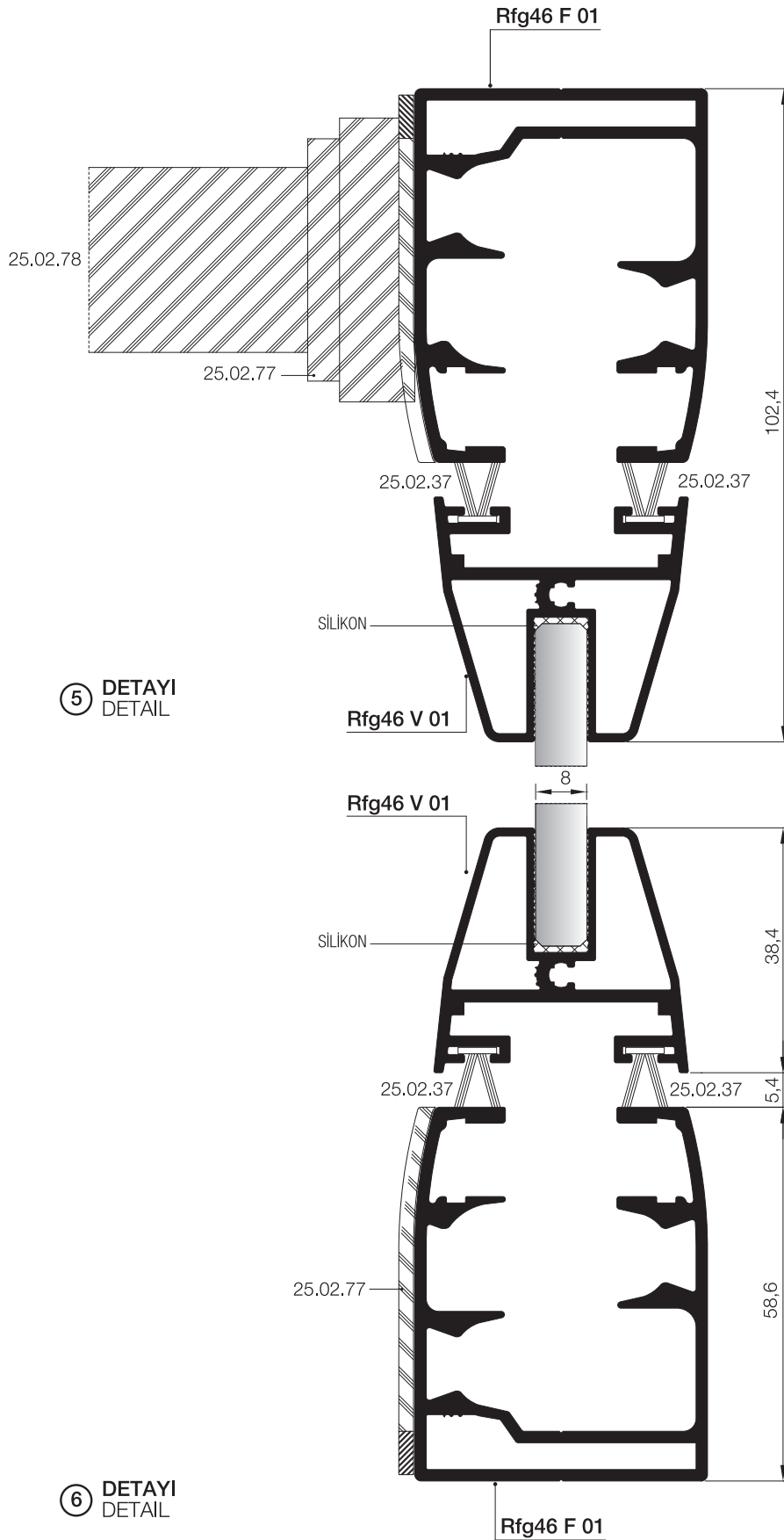
- 01
- 02
- 03
- 04
- 05
- 06
- 07
- 08
- 09
- 10

③ DETAYI  
DETAIL



④ DETAYI  
DETAIL





01

02

03

04

05

06

07

08

09

10

01

02

03

04

05

⑦ DETAYI  
DETAIL

06

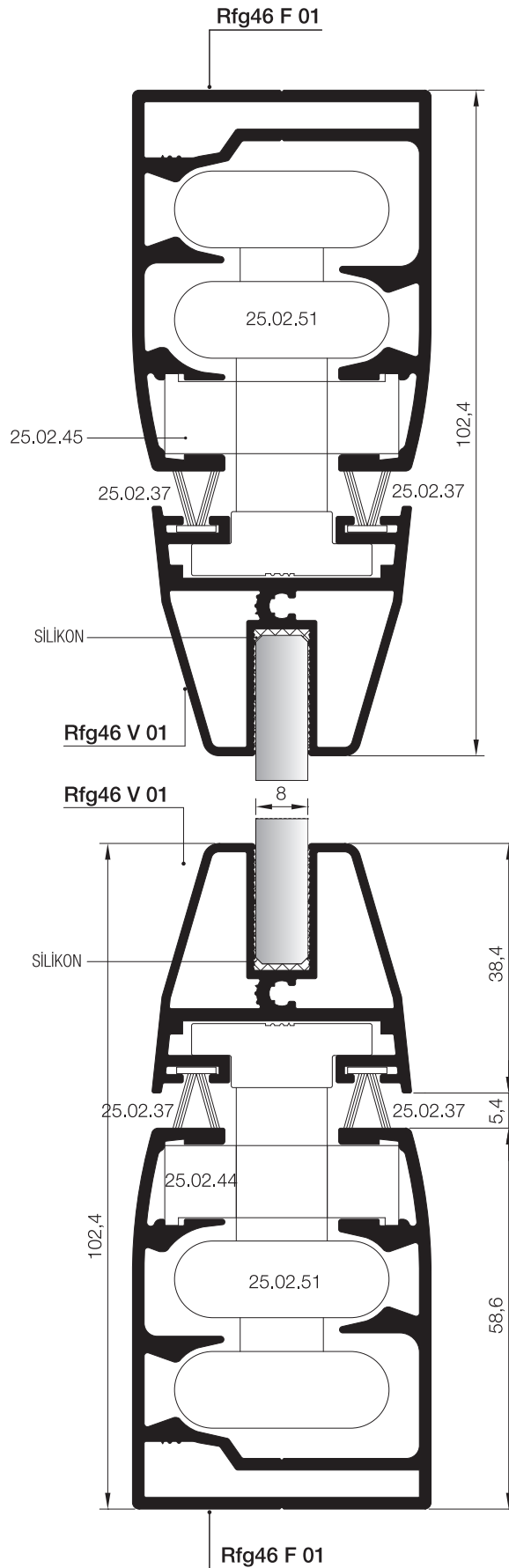
07

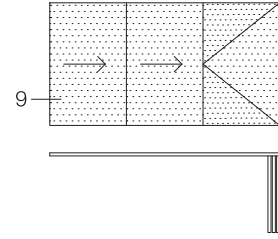
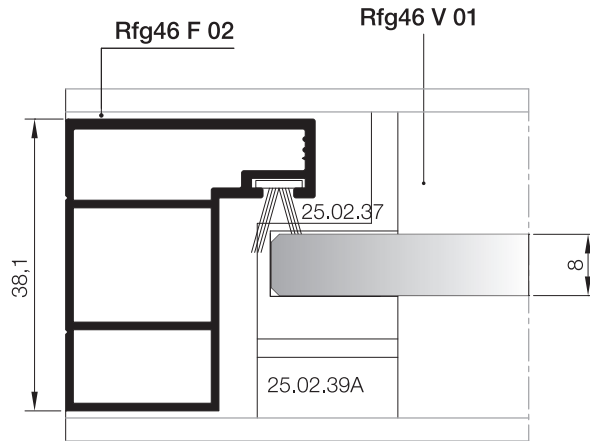
08

09

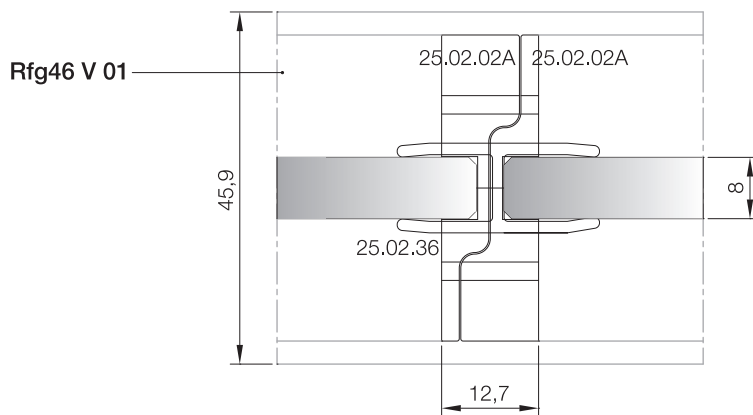
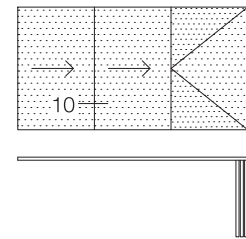
10

⑧ DETAYI  
DETAIL





9 DETAYI  
DETAIL



10 DETAYI  
DETAIL

01

02

03

04

05

06

07

08

09

10

01

02

03

04

05

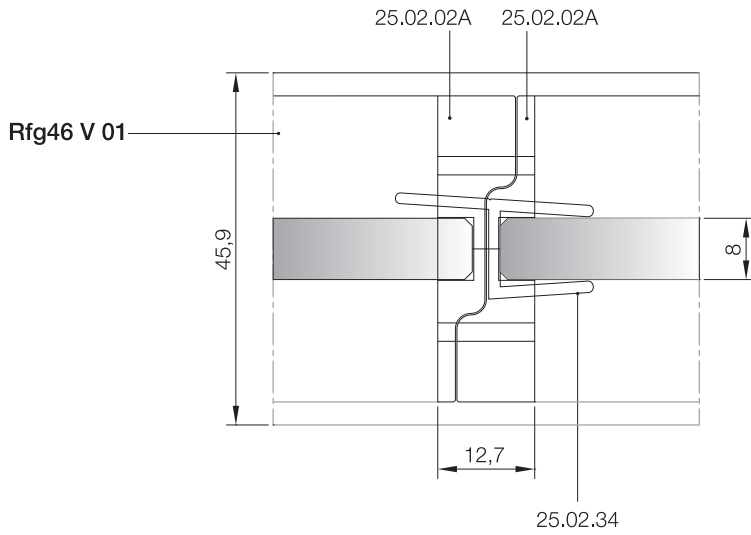
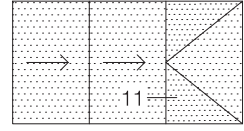
06

07

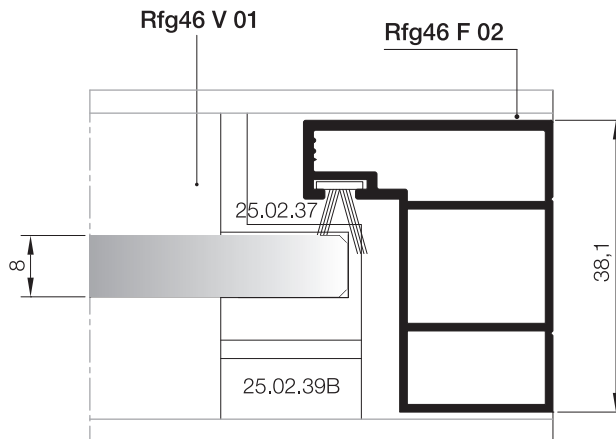
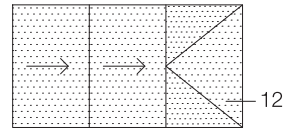
08

09

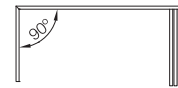
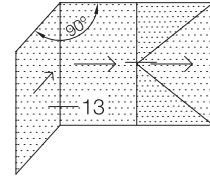
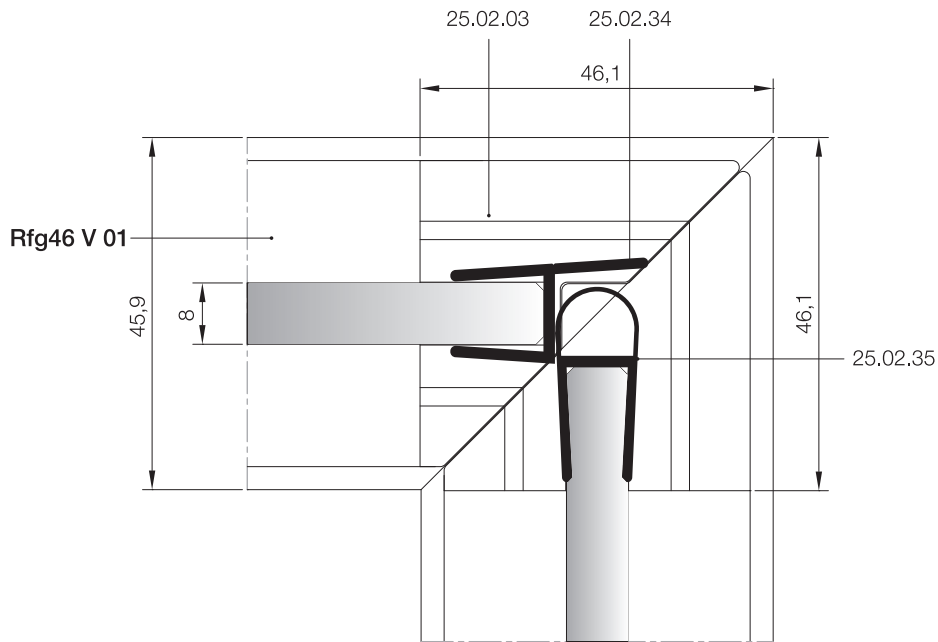
10



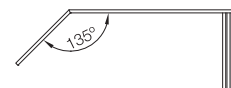
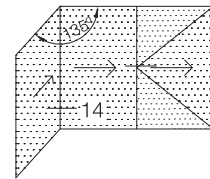
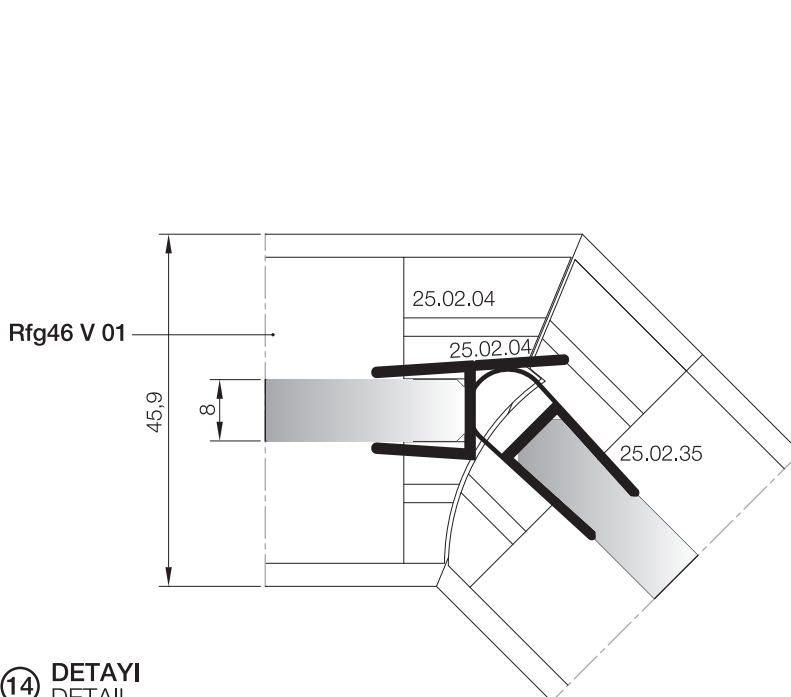
11 DETAYI  
DETAIL



12 DETAYI  
DETAIL



13 DETAYI  
DETAIL



14 DETAYI  
DETAIL

01

02

03

04

05

06

07

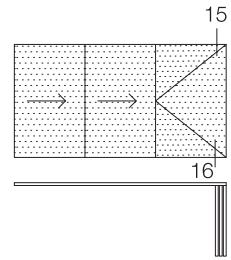
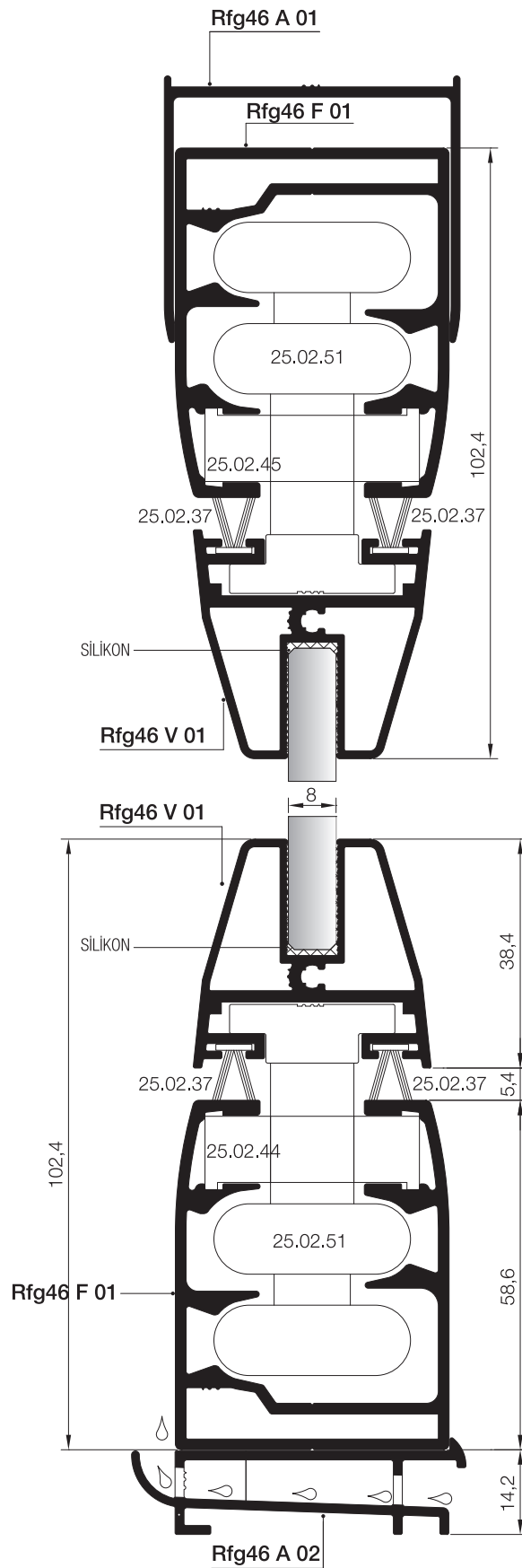
08

09

10

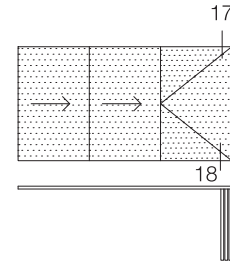
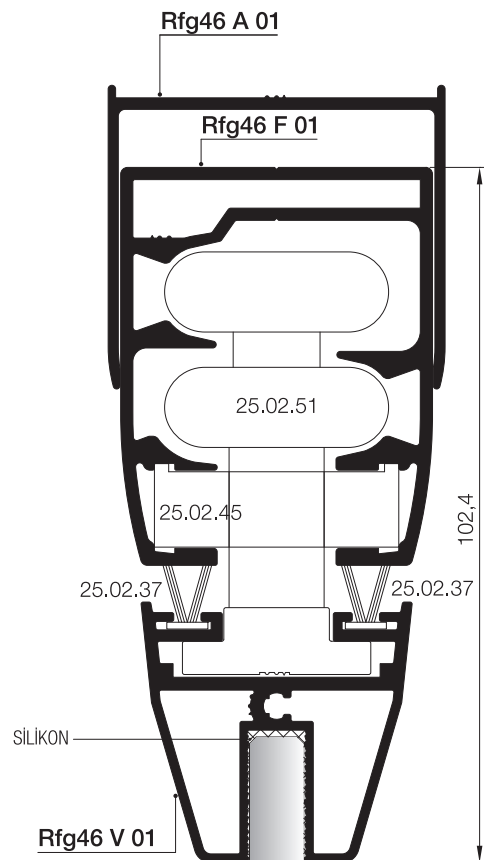
- 01
- 02
- 03
- 04
- 05
- 06
- 07
- 08
- 09
- 10

15 DETAYI  
DETAIL

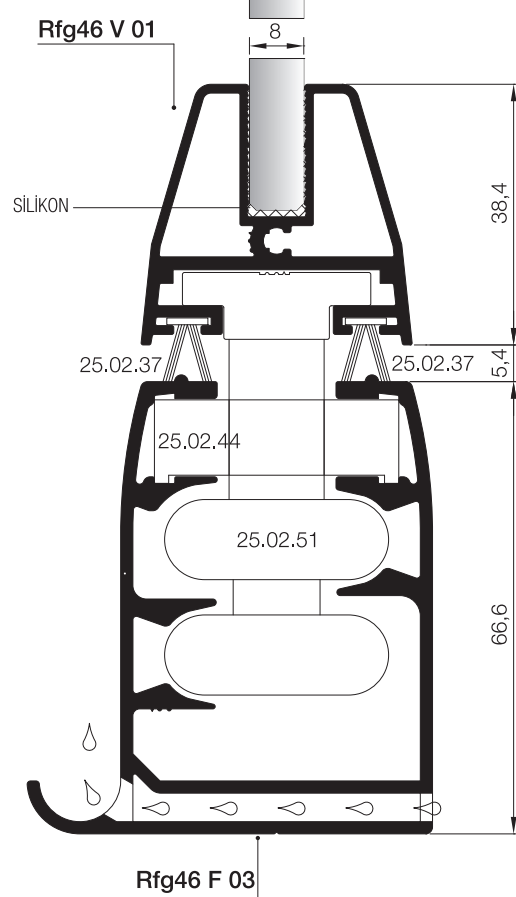




17 DETAYI  
DETAIL



18 DETAYI  
DETAIL



01

02

03

04

05

06

07

08

09

10

## KERTME ÖLÇÜSÜ (YAN DİKME)

01

02

03

04

05

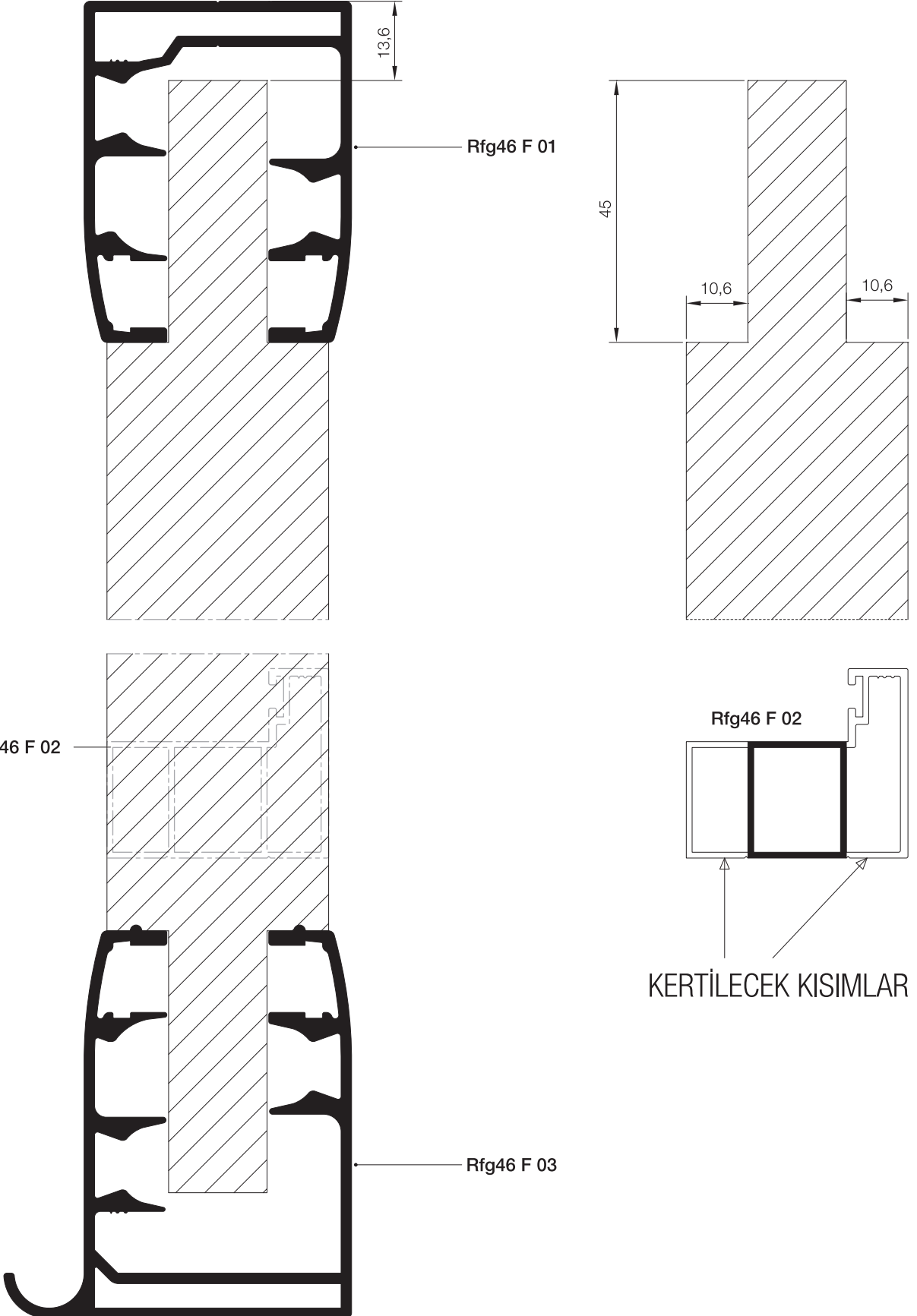
06

07

08

09

10



## ÇIKIŞ AĞZI KERTME ÖLÇÜSÜ VE MESAFESİ (ÜST VE ALT KASA İÇİN)

01

02

03

04

05

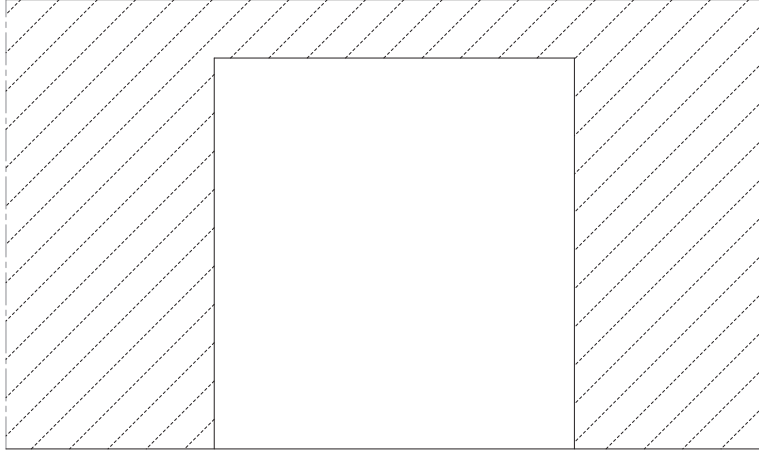
06

07

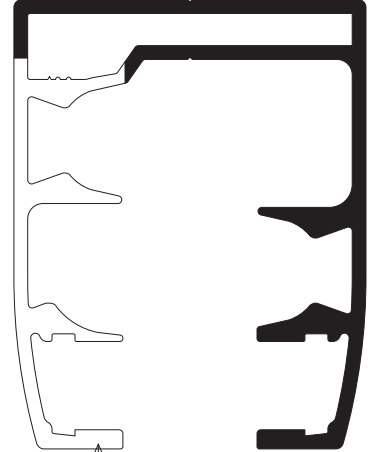
08

09

10

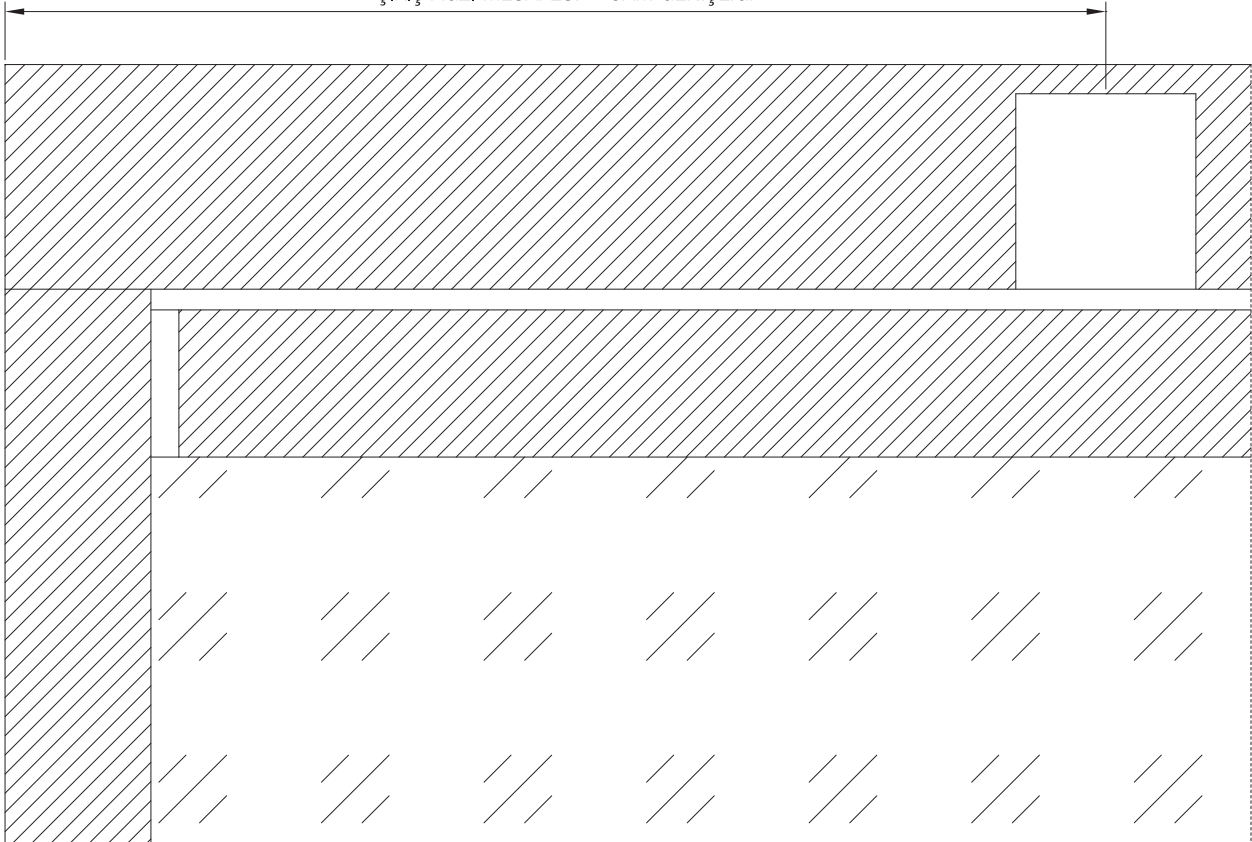


Rfg46 F 01

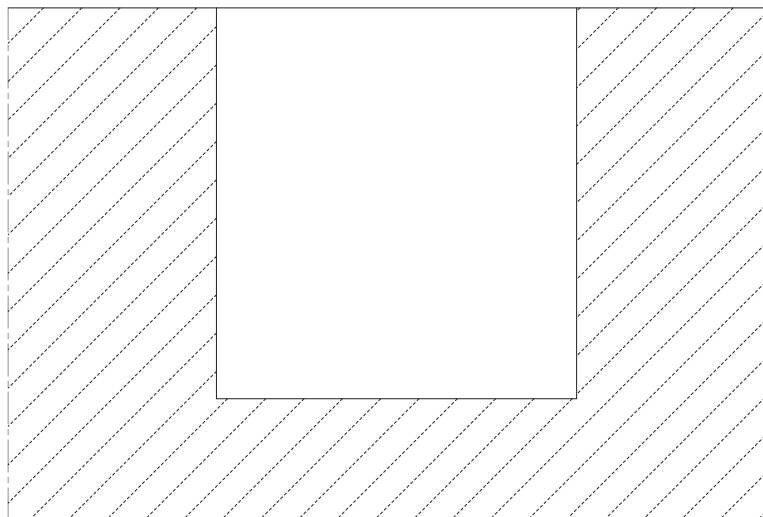
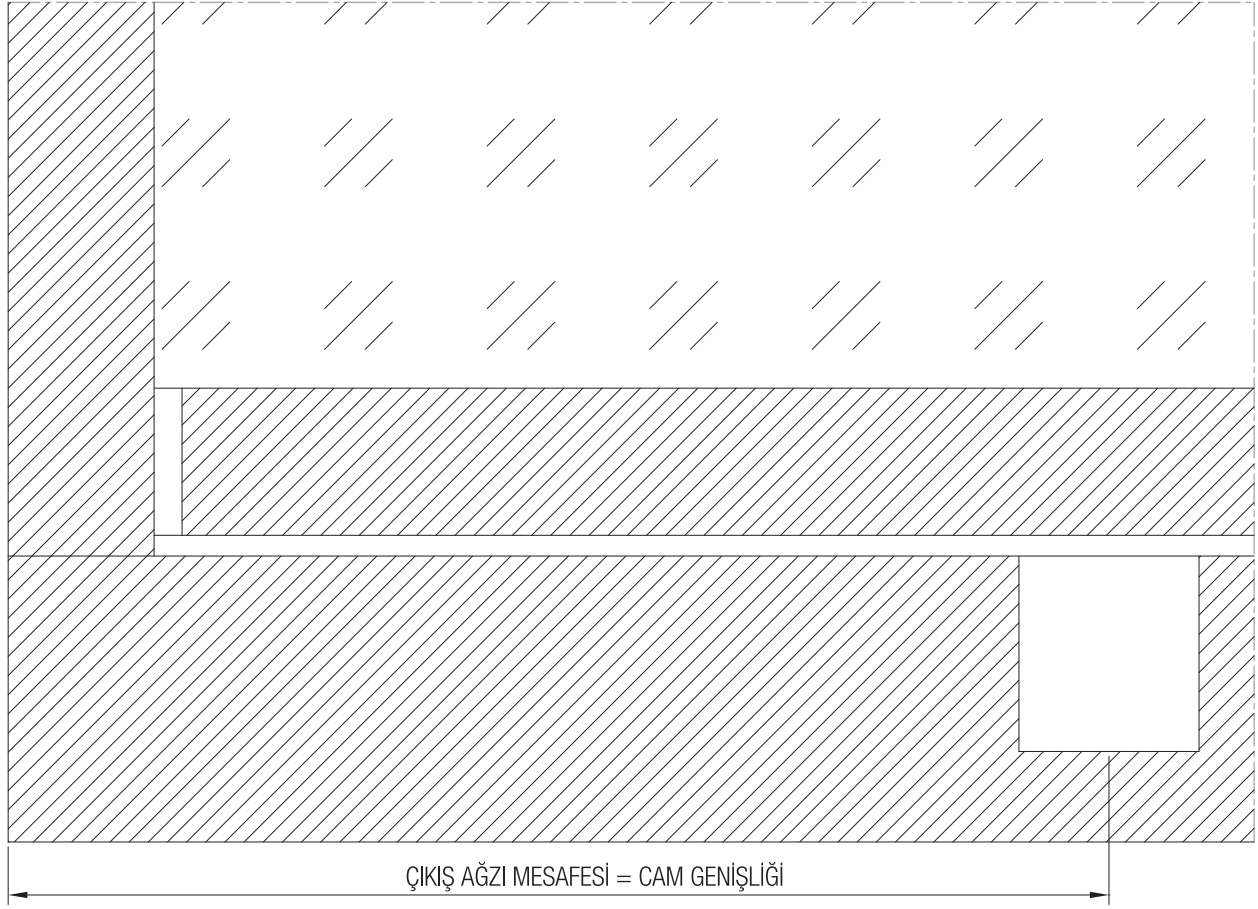


KERTİLECEK KISIM

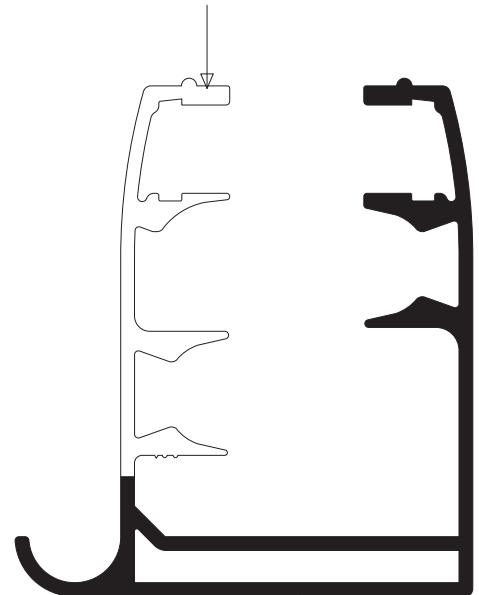
ÇIKIŞ AĞZI MESAFESİ = CAM GENİŞLİĞİ



## ÇIKIŞ AĞZI KERTME ÖLÇÜSÜ VE MESAFESİ (ALT KASA İÇİN)

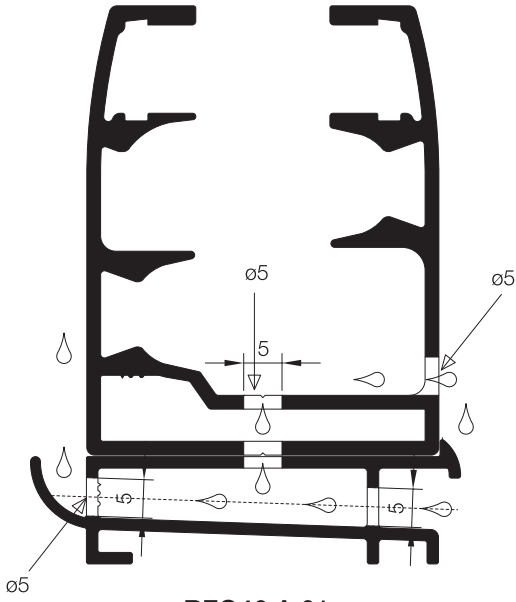


KERTİLECEK KISIM

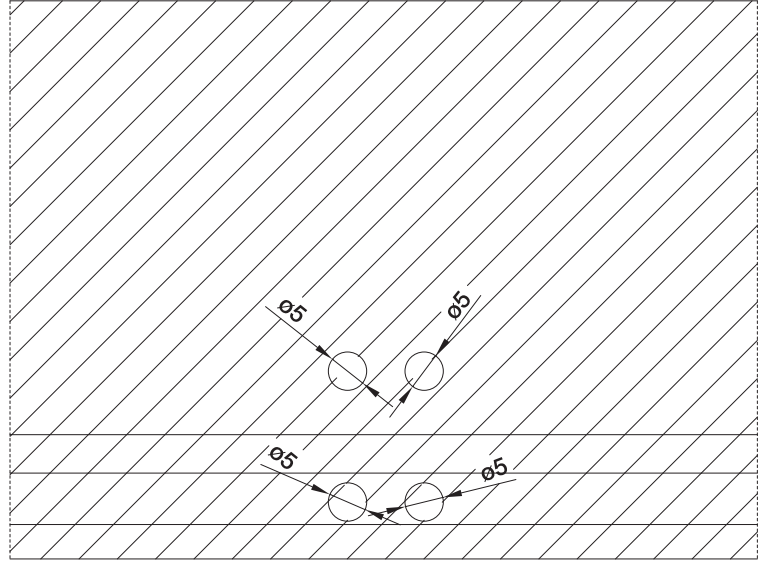


## ÇIKIŞ AĞZI KERTME ÖLÇÜSÜ VE MESAFESİ (ALT KASALAR İÇİN)

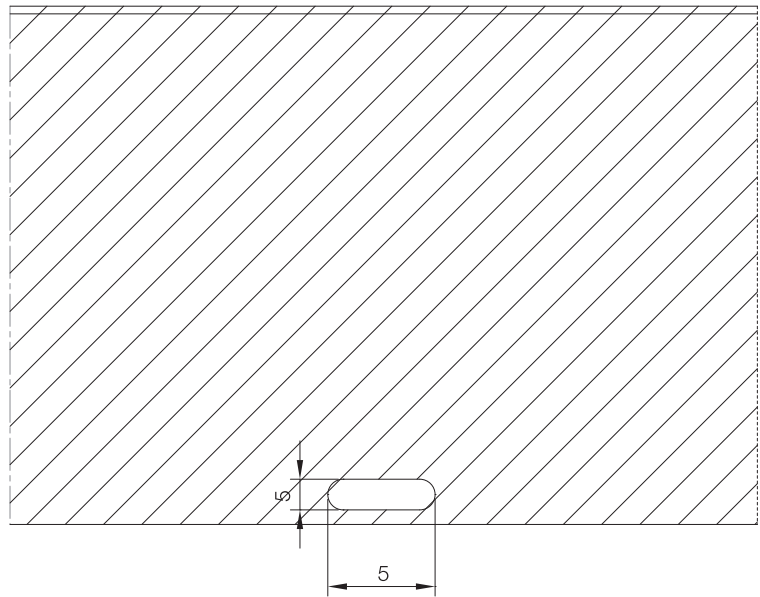
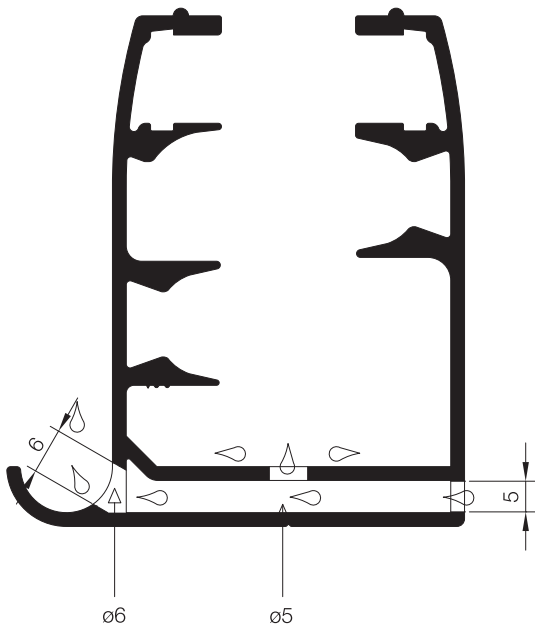
RFG46 F 01



RFG46 A 01



RFG46 F 03



01

02

03

04

05

06

07

08

09

10



# MİMARİ KATALOG ARCHITECTURAL CATALOGUE

Alüminyum Kapı Pencere ve Giydirme Cephe Sistemleri  
Aluminium Window Doors and Facade Systems



Rescara Sistem Detayları  
Rescara System Details

# RFG46

AKSESUARLAR

ACCESSORIES

01

02

03

04

05

06

07

08

09

10





	<p>25.02.02A</p> <p>ARA KAPAK (SOL) MIDDLE CAP (LEFT)</p> <p>Malzeme / Material : PVC</p>			<p>25.02.17</p> <p>MAFSALLI GÖNYE CORNER BRACKET</p>	
	<p>25.02.02B</p> <p>ARA KAPAK (SAĞ) MIDDLE CAP (RIGHT)</p> <p>Malzeme / Material : PVC</p>			<p>25.02.31</p> <p>STOPLAMA VENT HOLDER</p> <p>Malzeme / Material : PVC</p>	
	<p>25.02.03</p> <p>90° KAPAK CAP (90°)</p> <p>Malzeme / Material : PVC</p>			<p>25.02.33</p> <p>İP CHAIN</p>	
	<p>25.02.04</p> <p>135° KAPAK CAP (135°)</p> <p>Malzeme / Material : PVC</p>			<p>25.02.34</p> <p>YALITIM CAM FİTİLİ GLASS GASKET (250 cm)</p>	
	<p>25.02.05</p> <p>OVAL KAPAK (162~180) OVAL CAP (162~180)</p> <p>Malzeme / Material : PVC</p>			<p>25.02.35</p> <p>YALITIM CAM FİTİLİ GLASS GASKET (250 cm)</p> <p>Malzeme / Material : PVC</p>	
	<p>25.02.09</p> <p>KİLİTLİ TEKER ROLLER WITH LOCKED</p> <p>Malzeme / Material : PVC</p>			<p>25.02.36</p> <p>YALITIM CAM FİTİLİ GLASS GASKET (250 cm)</p>	
	<p>25.02.10</p> <p>DÜZ TEKER SIMPLE ROLLER</p> <p>Malzeme / Material : PVC</p>			<p>25.02.37</p> <p>SÜRME KIL FİTİL BRUSH (10 mm)</p>	

ZEMİN VE 1.KATLARDAKİ KULLANILMALIDIR.MAKSİMUM DOĞRAMA YÜKSEKLİĞİ 1,6 M'DİR.

ZEMİN VE 1.KATLARDAKİ KULLANILMALIDIR.MAKSİMUM DOĞRAMA YÜKSEKLİĞİ 1,6 M'DİR.

01

02

03

04

05


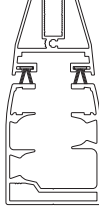

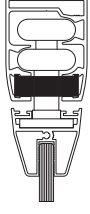

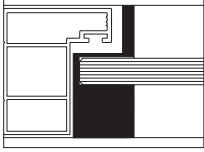
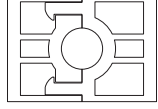
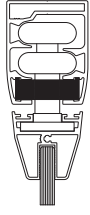

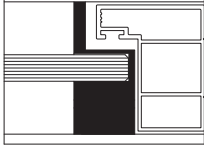

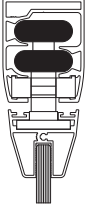
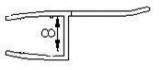
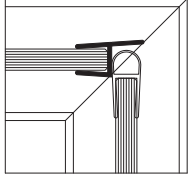

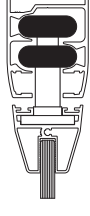

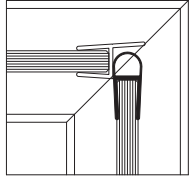
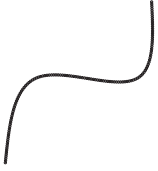
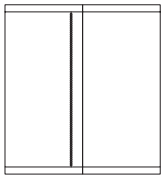
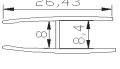
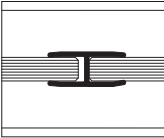
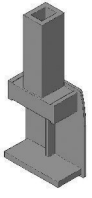
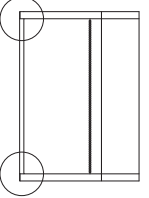

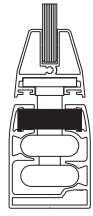

06

07

08

09

10

01		25.02.38 <b>SÜRME KİL FİTİL</b> BRUSH (15 mm)			25.02.45 <b>FREN - ÜST</b> BRAKE (UPPER) <b>Malzeme / Material :</b> PVC METAL BAĞLANTILI	
02		25.02.39A <b>DİKME KAPAĞI (ALT)</b> FINISH CAP (DOWN) <b>Malzeme / Material :</b> PVC			25.02.46 <b>SABİT MENTEŞE</b> FIX HINGE <b>Malzeme / Material :</b> PVC	
03		25.02.39B <b>DİKME KAPAĞI (ÜST)</b> FINISH CAP (P) <b>Malzeme / Material :</b> PVC			ÖNERİLİR - RECOMMENDED 25.02.50 <b>LÜKS KİLİTLİ METAL TEKER</b> LUX ROLLER WITH LOCKER <b>Malzeme / Material :</b> Alüminyum Aluminium	
04		25.02.41 <b>YALITIM CAM FİTİLİ</b> GLASS GASKET (400 cm)			ÖNERİLİR - RECOMMENDED 25.02.51 <b>LÜKS DÜZ TEKER</b> LUX SIMPLE ROLLER <b>Malzeme / Material :</b> Alüminyum Aluminium	
05		25.02.42 <b>YALITIM CAM FİTİLİ</b> GLASS GASKET (400 cm)			25.02.52 <b>ZİNCİR</b> CHAIN	
06		25.02.43 <b>YALITIM CAM FİTİLİ</b> GLASS GASKET (400 cm)			25.02.61 <b>YAN YAPRAK</b> (Rfg46 F 01 ile) SIDE CAP (For Rfg46 F 01) <b>Malzeme / Material :</b> PVC	
07		25.02.44 <b>FREN - ALT</b> BRAKE (BOTTOM) <b>Malzeme / Material :</b> PVC METAL BAĞLANTILI			25.02.62 <b>YALITIM CAM FİTİLİ</b> GLASS GASKET 90°	
08						
09						
10						

	25.02.63 <b>YALITIM CAM FİTİLİ</b> GLASS GASKET 135°			25.02.78 <b>LÜKS BOYNUZ</b> LUX HORN <b>Malzeme / Material : PVC</b> (25.02.77 ve 79 ile) (With 25.02.77 and 79)	
	25.02.64 <b>"T" STOPLAMA PARÇASI</b> VENT HOLDER "T" PIECE			25.02.79 <b>LÜKS KİLİT</b> LUX LOCK <b>Malzeme / Material : PVC</b> (25.02.77 ve 78 ile) (With 25.02.77 and 78)	
	25.02.72 <b>KİLİT ZİNCİRİ</b> CHAIN FOR LOCK			25.02.80 <b>YAN KAPAK (Rfg46 F 03 ile)</b> SIDE CAP (For Rfg46 F 03) <b>Malzeme / Material : PVC</b>	
	25.02.73 <b>KROM KULP</b> CROM HOLDER			25.02.81 <b>BASİT KİLİT</b> LOCK	
	25.02.75 <b>FREN - ALT</b> BRAKE (BOTTOM) <b>Malzeme / Material : PVC-EKO</b>			25.02.82 <b>3'LÜ FREN</b> (PIMPLE KULLANILIR) TRIPPLE BRAKE WITH PIN	
	25.02.76 <b>FREN - ÜST</b> BRAKE (UPPER) <b>Malzeme / Material : PVC-EKO</b>			25.02.83 <b>5'Lİ FREN</b> (PIMPLE KULLANILIR) BRAKE WITH PIN	
	25.02.77 <b>LÜKS ÇIKIŞ AĞZI</b> LUX OUTLET CAP <b>Malzeme / Material : PVC</b> (25.02.78 ve 79 ile) (With 25.02.78 and 79)			25.02.84 <b>7'Lİ FREN</b> (PIMPLE KULLANILIR) BRAKE WITH PIN	

01

02

03

04

05










06

07

08

09

10

01		<b>25.02.85</b> 8'Lİ FREN (PIMPLE KULLANILIR) BRAKE WITH PIN			<b>25.02.90</b> EMNİYETLİ KİLİT SAFETY LOCK	
02						
03		<b>25.02.86A</b> PİMLİ FREN MENTEŞE (UZUN) BRAKE WITH PIN (LONG)			<b>25.02.91</b> STOPLAMA STOPER	
04						
05		<b>25.02.86B</b> PİMLİ FREN MENTEŞE (KISA) BRAKE WITH PIN (SHORT)				
06		<b>25.02.87A</b> SAĞ KISA BOYNUZ SHORT HORN (RIGHT) <b>Max. Doğrama Ölçüsü</b> Max. Window Dimension H: 1200 mm L: 300 mm				
07						
08		<b>25.02.87B</b> SOL KISA BOYNUZ SHORT HORN (LEFT) <b>Max. Doğrama Ölçüsü</b> Max. Window Dimension H: 1200 mm L: 300 mm				
09		<b>25.02.88</b> ALT 8'Lİ FREN BRAKE BOTTOM				
10		<b>25.02.89</b> ÜST 8'Lİ FREN BRAKE UPPER				



